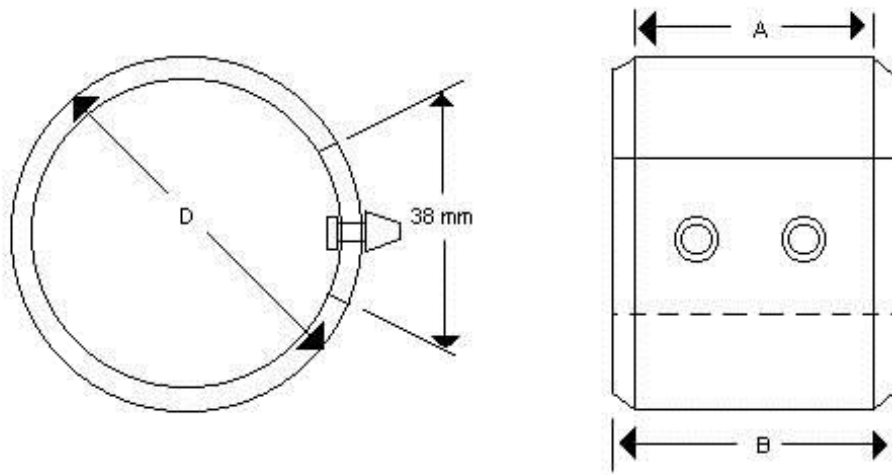




# HOLSCOT FEP FLANGE SHIELDS

## DATA SHEET

### To SUIT PN 10 / PN 16 FLANGES



NOMINAL PIPE SIZE		A	B	D
DN	MM	MM	MM	MM
DN 10	11 mm	35.1 mm	50.8 mm	90 mm
DN 15	15 mm	44.5 mm	57.15 mm	95 mm
DN 20	20 mm	44.5 mm	57.15 mm	105 mm
DN 25	25 mm	50.8 mm	63.5 mm	115 mm
DN 32	32 mm	54.0 mm	66.7 mm	140 mm
DN 40	40 mm	54.0 mm	66.7 mm	150 mm
DN 50	50 mm	54.0 mm	66.7 mm	165 mm
DN 65	65 mm	63.5 mm	76.2 mm	185 mm
DN 80	80 mm	63.5 mm	76.2 mm	200 mm
DN 100	100 mm	66.7 mm	82.55 mm	220 mm
DN 125	125 mm	66.7 mm	82.55 mm	250 mm
DN 150	150 mm	82.3 mm	101.6 mm	285 mm
DN 175	175 mm	95.3 mm	120.65 mm	315 mm
DN 200	200 mm	95.3 mm	120.65 mm	340 mm

*Also Available: Custom Sizes Coloured Inserts*